

ACURA SPA SYSTEMS, INC.

MEGATROL™ SERIES-210

| | | |
|-----------|----------------|------------------|
| MODEL: | MT50SP2H5B1S1G | |
| 240V | 50A. Service | 60 Hz |
| REVISION: | 4/3/2007 | * Optional Items |

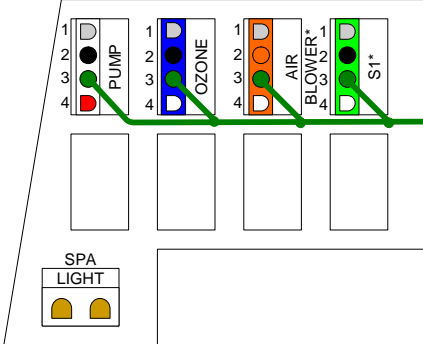
WARNING: MUST BE WIRED PER NATIONAL ELECTRIC CODE AND ALL LOCAL CODES AND REGULATIONS.

NOTE: To supply 120V to the heater, move RED wire on load side of **Terminal Block** from RED (L2) to WHITE (N).

NOTE: To supply 120V to the pump, move BLUE wire on load side of **Terminal Block** from RED (L2) to WHITE (N).

NOTE: Standard heater is 5.5kW, optional 4kW can be substituted.

Side Connectors

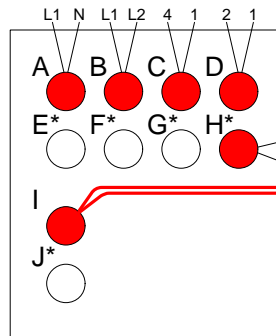
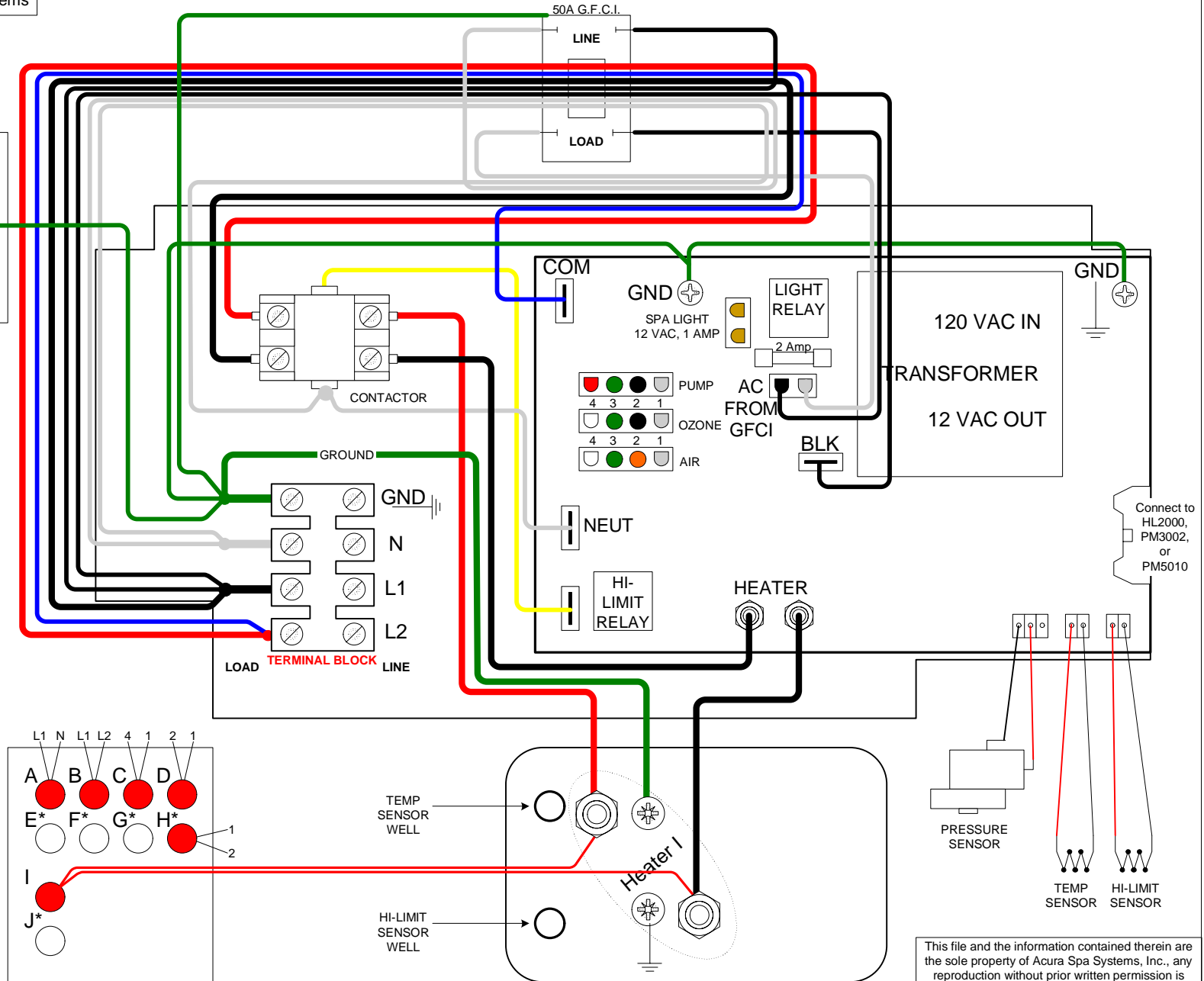


| | |
|----------------|----------------------------------|
| MT50SP2H5B1S1G | |
| MT | = Megatrol Series |
| 50 | = 50 Amp Service; 37.5 Amp Rated |
| SP2 | = Single Pump, 240V |
| H5 | = Single Heater, 5.5kW |
| B1 | = Blower, 120V |
| S1 | = Receptacle, 120V |
| G | = G.F.C.I. |

Indicator Lights Connections

| | | |
|----|--------------|---------|
| A | > 120V Power | [L1,N] |
| B | > 240V Power | [L1,L2] |
| C | > Low Pump | [4,1] |
| D | > High Pump | [2,1] |
| E* | > | |
| F* | > | |
| G* | > | |
| H* | > Blower | [2,1] |
| I | > Heater 1 | |
| J* | > | |

* Optional Items



This file and the information contained therein are the sole property of Acura Spa Systems, Inc., any reproduction without prior written permission is strictly forbidden.