

ACURA SPA SYSTEMS, INC.

MEGATROL™ SERIES-220

MODEL: **MT50DP22B2O2S1**

240V 50A. Service 60 Hz

REVISION: 02/08/13 * Optional Items

PC Board Part Number: 2630-14-120

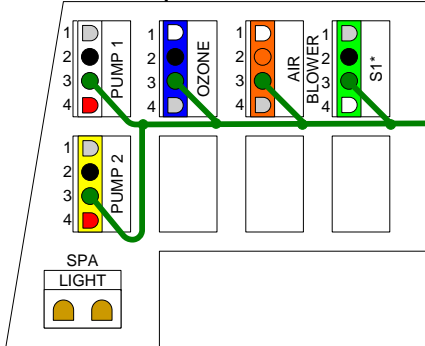
WARNING: MUST BE WIRED PER NATIONAL ELECTRIC CODE AND ALL LOCAL CODES AND REGULATIONS.

NOTE: To supply 120V to the heater, move RED wire on load side of **Terminal Block** from RED (L2) to WHITE (N).

NOTE: To supply 120V to the pump, move BLUE wire on load side of **Terminal Block** from RED (L2) to WHITE (N).

WARNING: CONNECT ONLY TO A G.F.C.I. PROTECTED CIRCUIT.

Output Connectors

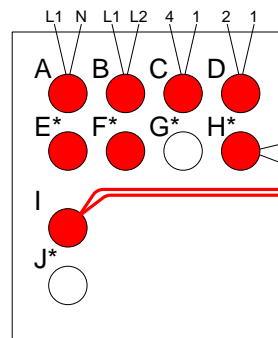
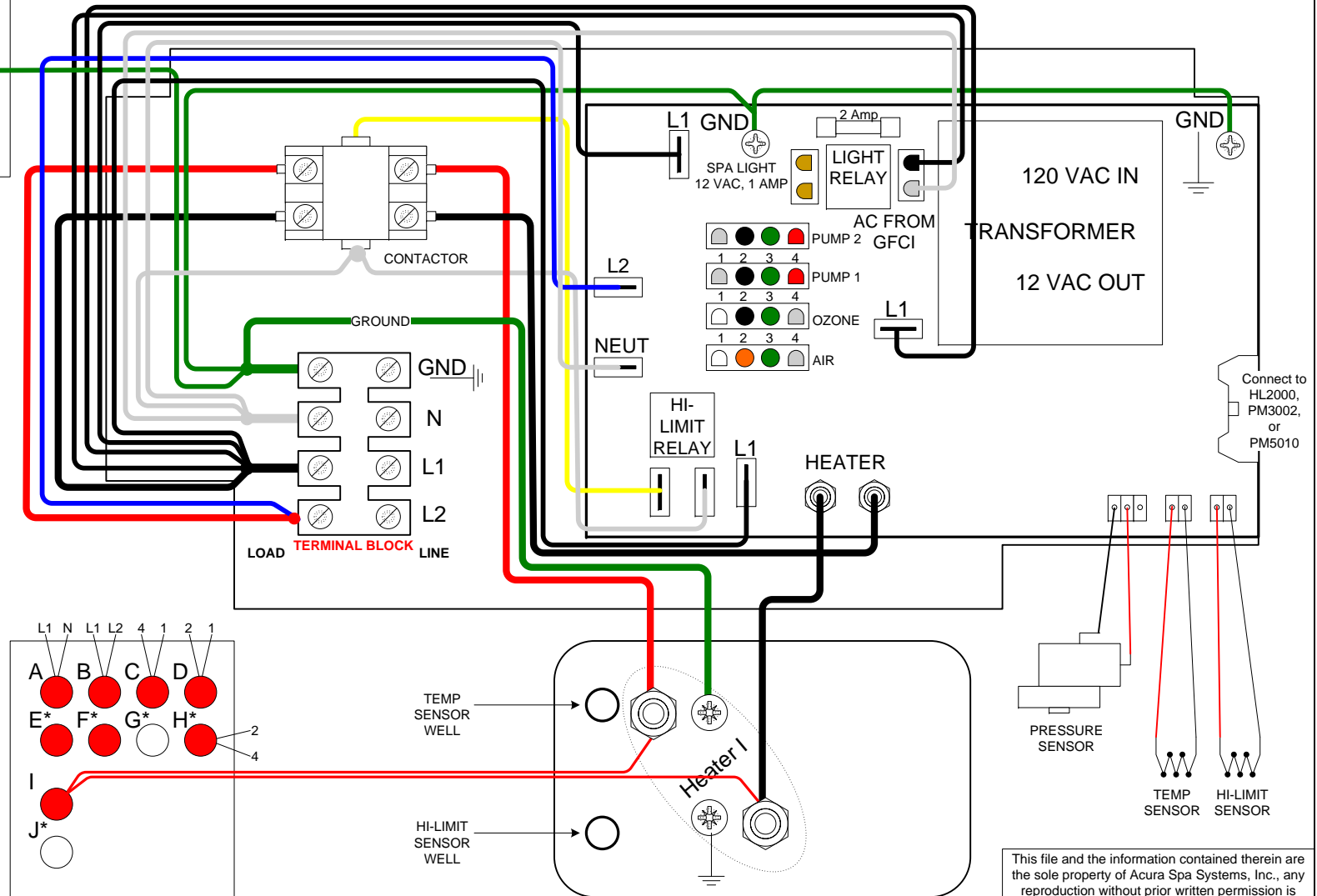


MT50DP22B2S1	
MT	= Megatrol Series
50	= 50 Amp Service
DP22	= Dual Pumps 240V, Two-Speed
B2	= Blower 240V
O2	= Ozone 120V
S1	= Receptacle 120V

Indicator Lights Connections

A	→ 120V Power	[L1,N]
B	→ 240V Power	[L1,L2]
C	→ Low Pump	[4,1]
D	→ High Pump	[2,1]
E*	→ Pump 2 Low	[4,1]
F*	→ Pump 2 High	[2,1]
G*	→	
H*	→ Blower	[2,4]
I	→ Heater 1	
J*	→	

* Optional Items



This file and the information contained therein are the sole property of Acura Spa Systems, Inc., any reproduction without prior written permission is strictly forbidden.