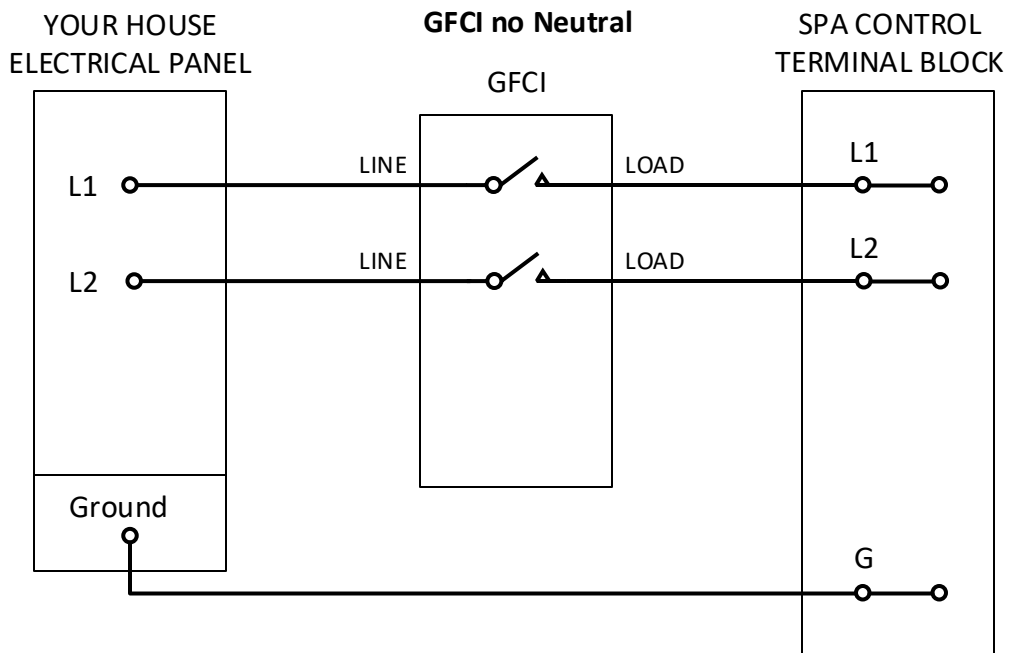
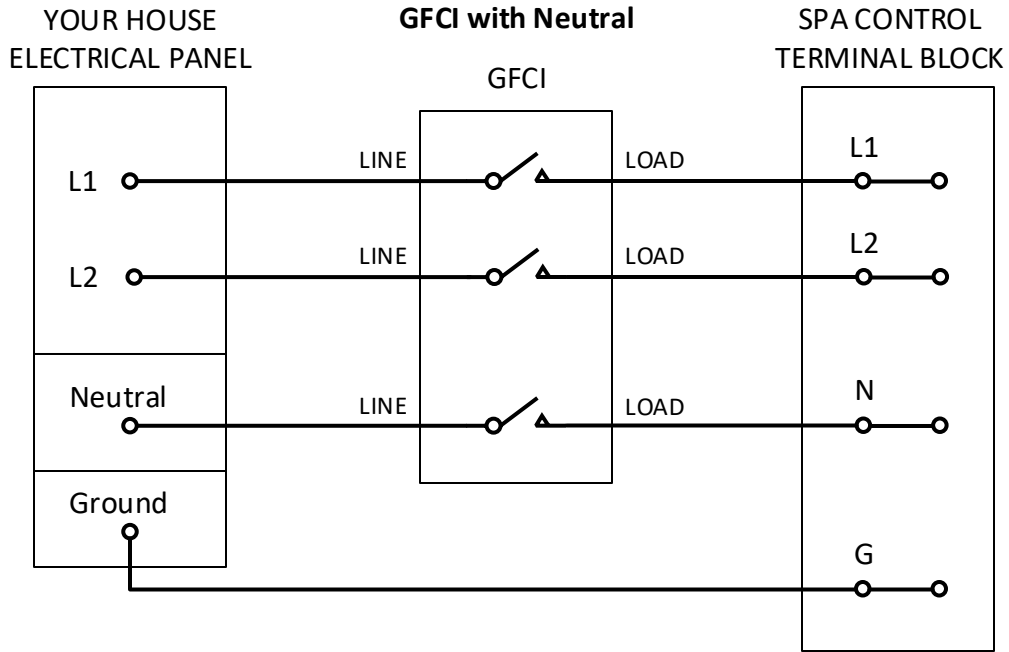


If your new GFCI is tripping when connected to our spa control box, it was wired improperly...



We are DO NOT manufacture GFCIs. Read your GFCI wiring diagram. This diagram is a generic diagram for a properly wired GFCI.

NOTE: When measuring Ohms between L1 and N inside on the main power terminal block inside our control box, you will read approximately 29 ohms (the resistance on the transformer coil). This is normal