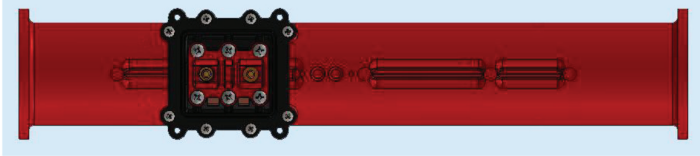


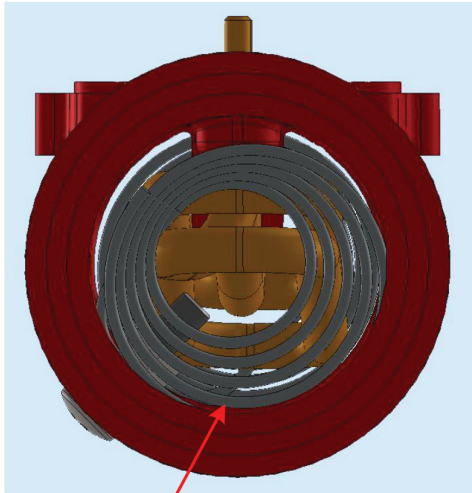
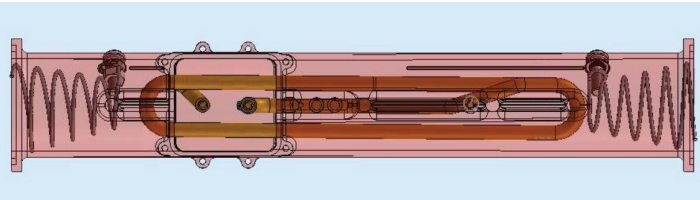
Not all heater manifolds are created equal!

CosmoHeat!™ Heater Manifold by *Acura Spa Systems, Inc.*

A picture is worth a thousand words!
Patented Corrosion Resistant Heating System!
Patented Current Collectors!
Patents: 7702224B2, 8014653B2 and Patent Pending



Tested and Approved by ETL per UL 1563.



Patented 316 Stainless Steel Weld-Free Current Collectors passed the UL test and only allowed 1.8 milliamps of current leakage through the spa water as tested by ETL.

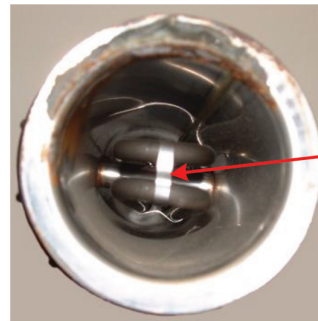
“To pass the UL testing, the current leakage limit through the spa water cannot exceed 5 milliamps.”

This improved design is 64% safer than the safe limit allowed by UL!

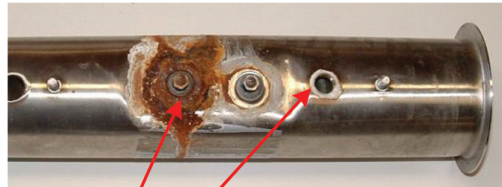
Other Manufacturers Heater Manifold



Approved per UL 1563, however no test data is supplied by the manufacturer. **Was it tested and did it pass the 5 milliamp current leakage test?**



The clip must be removed with special tools to remove the heater through the tubing.



Chemicals in spa water caused extreme corrosive damage to the welds and seams on the Stainless Steel manifold. Once the seams or welds corrode, water leakage is imminent.

